

This drawing and the information contained herein is CONFIDENTIAL and PROPRIETARY to Friction Coating Corporation, is received in CONFIDENCE and shall not be used, copied, or disclosed to others without the written permission of Friction Coating Corporation. Doing so will result in legal action.

Stripper Ring & Holder

Special Instructions: _____

Company: _____

Address: _____

City, State, Zip: _____

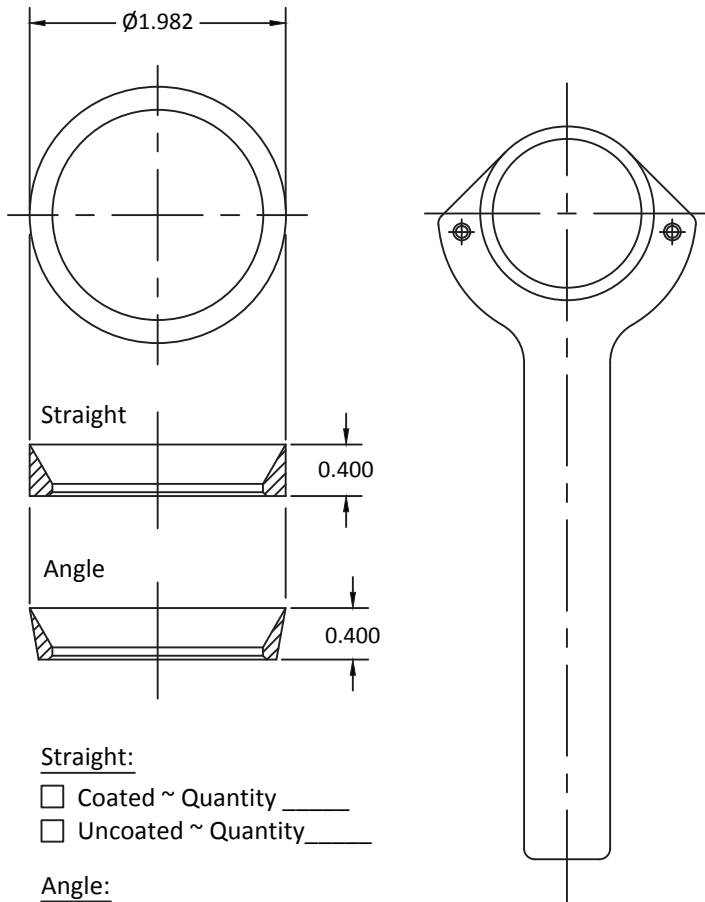
Country: _____

Contact: _____

Phone: _____

Fax: _____

E-mail: _____



Straight:

- Coated ~ Quantity _____
- Uncoated ~ Quantity _____

Angle:

- Coated ~ Quantity _____
- Uncoated ~ Quantity _____

Tool Holder:

- Quantity _____

P.O.#: _____



42770 Mound Road
Sterling Heights, MI 48314 • USA
P 586.731.0990 • F 586.731.0991

ORDER FORM

| |
|--|
| STANDARD TOLERANCES UNLESS OTHERWISE NOTED: |
| 0.0000 ±0.001 |
| 0.000 ±0.005 |
| 0.00 ±0.010 |
| Dimensions are in inch |

| | | |
|----------|-------------|--------------|
| DATE | DRAWING NO. | |
| REVISION | DRAWN BY | SHEET 1 of 1 |